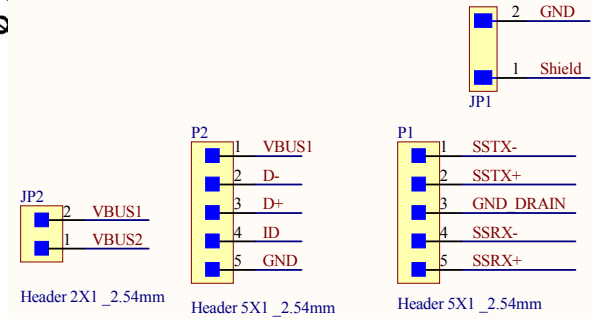
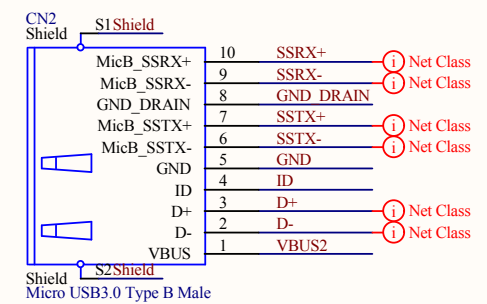
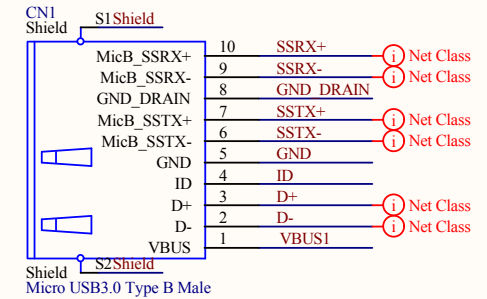
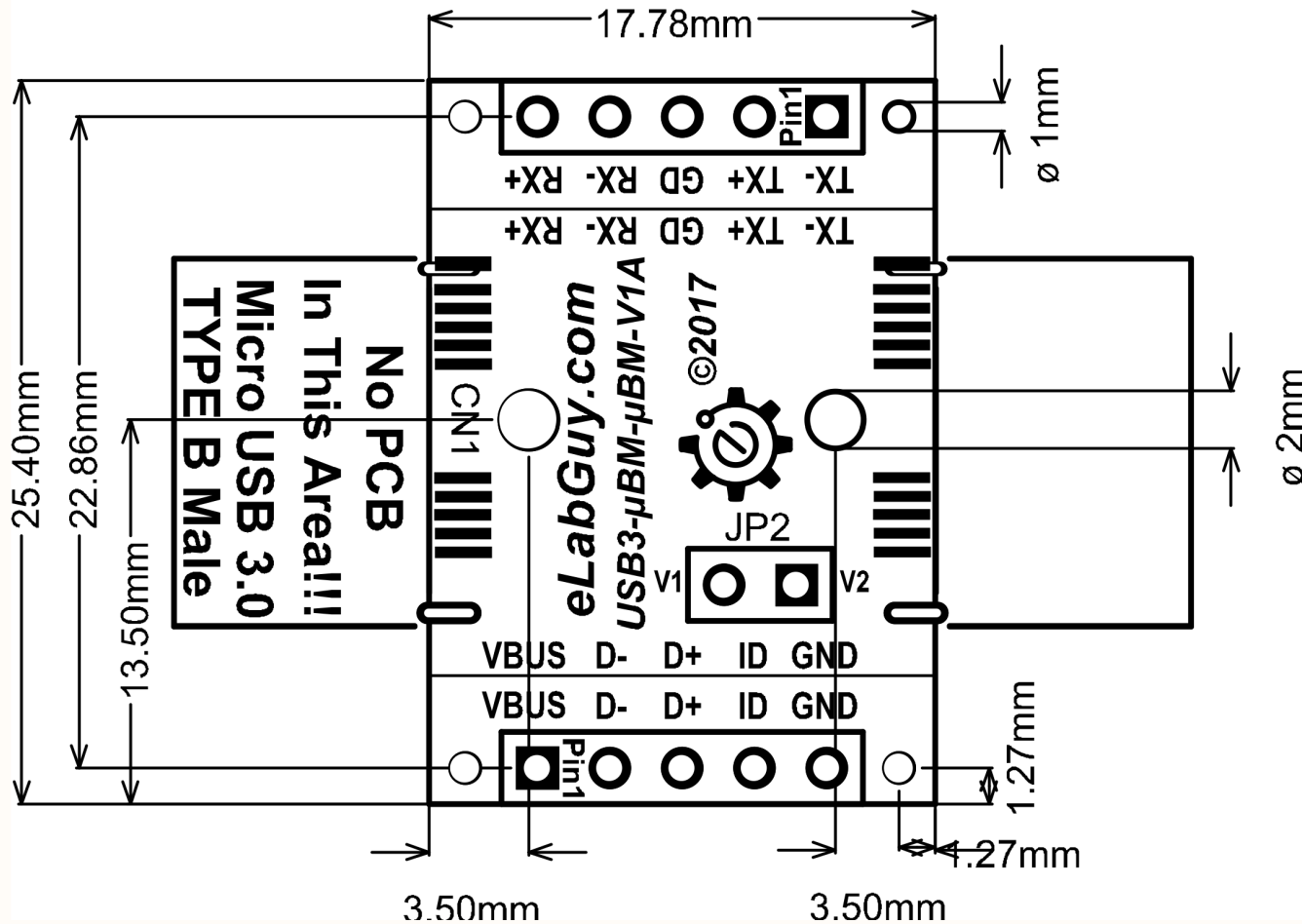


\* 0.8mm THICK FR4 (2 LAYER BOARD)



Title			USB3.0 Micro Type B Male to Micro Type B Male Breakout		
Size	Number	Revision			
A4	USB3- $\mu$ BM- $\mu$ BM-V1A	1A			
Date:	9/6/2017	Sheet of			
File:	C:\Users\...USB3- $\mu$ BM- $\mu$ BM-V1A Drawing.Dwg	Sheet No:	www.eLabGuy.com		